



"Gulf Armor" WOOD GLAZED OR OPAQUE DOUBLE DOOR w/ or w/out SIDELITES

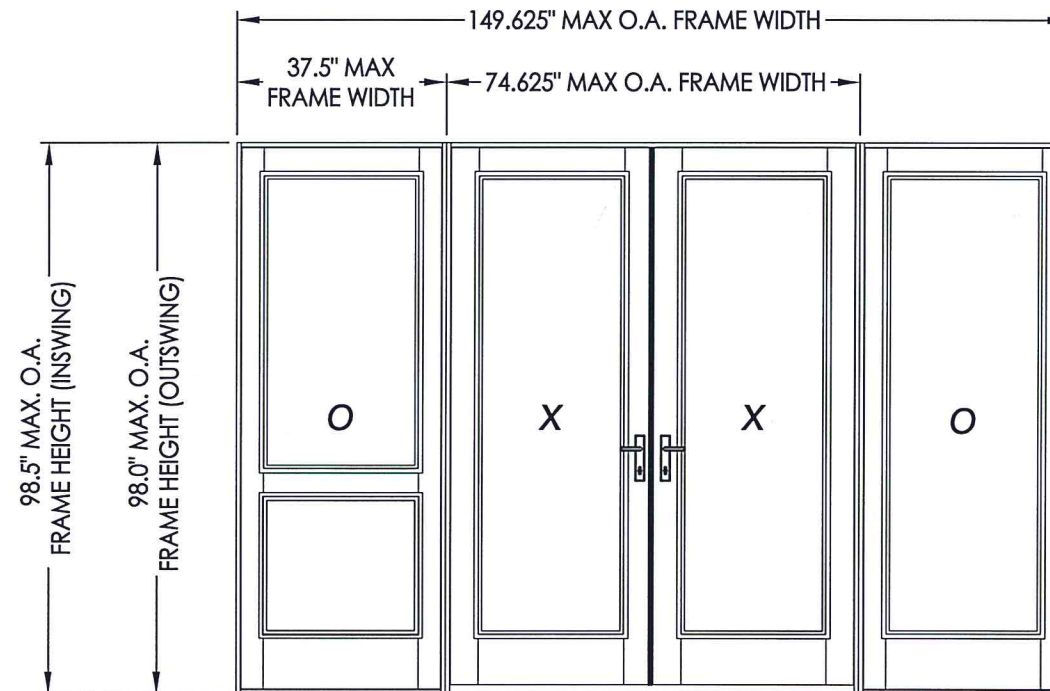
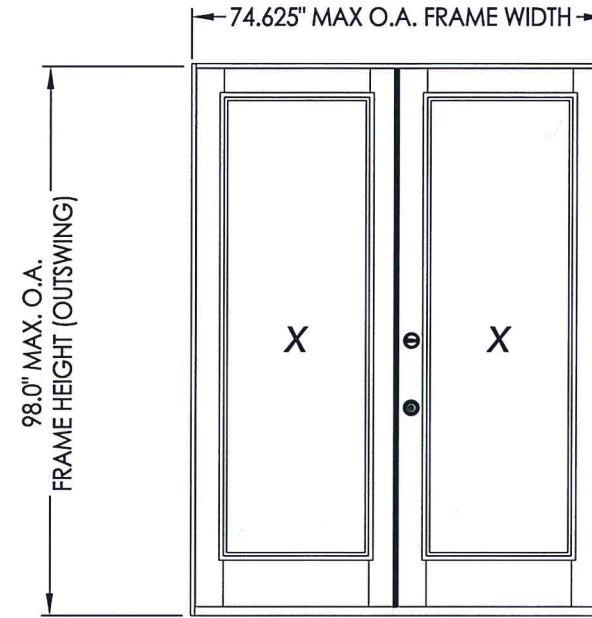
INSWING/OUTSWING "IMPACT"

GENERAL NOTES

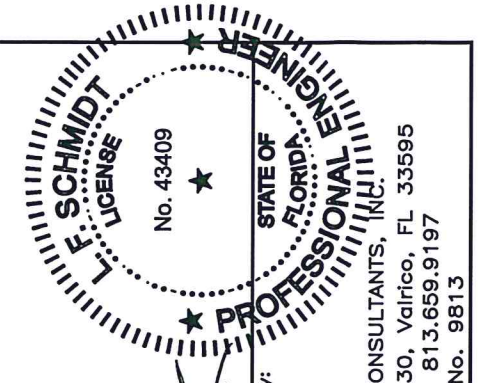
1. This product has been evaluated and is in compliance with the 6th Edition (2017) Florida Building Code (FBC) structural requirements excluding the "High Velocity Hurricane Zone" (HVHZ).
2. Product anchors shall be as listed and spaced as shown on details. Anchor embedment to base material shall be beyond wall dressing or stucco.
3. When used in areas requiring wind borne debris protection this product complies with FBC Sections 1609.1.2 & R301.2.1.2 and does not require an impact resistant covering. This product meets missile level "D" and includes Wind Zone 4 as defined in ASTM E1996 and FBC Sections 1609.1.2.2 & R301.2.1.2.1.
4. For 2x stud framing construction, anchoring of these units shall be the same as that shown for 2x buck masonry construction.
5. Site conditions that deviate from the details of this drawing require further engineering analysis by a licensed engineer or registered architect.

TABLE OF CONTENTS

SHEET#	DESCRIPTION
1	Typical Elevations, Design Pressures & General Notes
2	Door Panel Details
3	Sidelite Panel Details
4	Elevations
5	Horizontal & Vertical Cross Sections (2X Buck)
6	Horizontal & Vertical Cross Sections (1X Buck)
7	Vertical Cross Sections (Thresholds)
8	Buck Anchoring
9	Frame Anchoring
10	Hardware Details
11	Bill of Materials & Components



CONFIGURATION	DESIGN PRESSURE (PSF) INSWING		DESIGN PRESSURE (PSF) OUTSWING	
	POSITIVE	NEGATIVE	POSITIVE	NEGATIVE
XX, OXXO	+50.0	-50.0	+50.0	-50.0



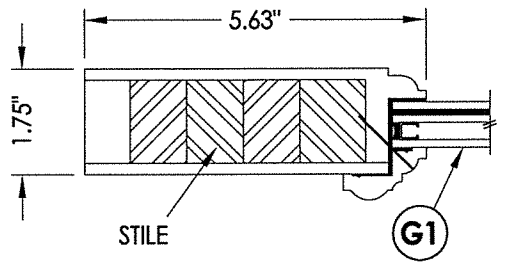
October 12, 2017
 Documents Prepared By:
 Lyndon F. Schmidt
 P.E. No. 43409
 R.W. BUILDING CONSULTANTS, INC.
 P.O. Box 230, Vairico, FL 33595
 Phone No.: 813.659.9197
 FBPE C.A. No. 9813

PRODUCT:
 SOUTHEASTERN SASH & DOOR
 FIBERGLASS DOOR
 PART OR ASSEMBLY:
 TYPICAL ELEVATION, DESIGN
 PRESSURES & GENERAL NOTES

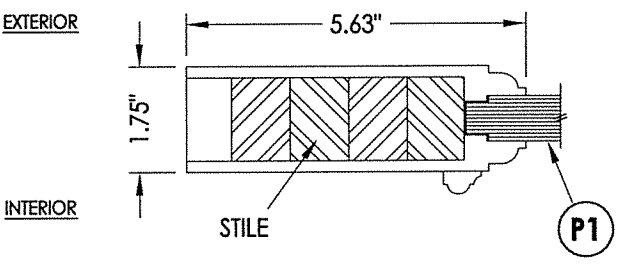
NO.	DATE	REVISIONS
1	10/12/17	UPDATE TO 6TH ED. (2017) FBC

DATE: 5/10/17
 SCALE: N.T.S.
 DWG. BY: JK
 CHK. BY: LFS
 DRAWING NO.:
 FL-22347.4
 SHEET 1 OF 11

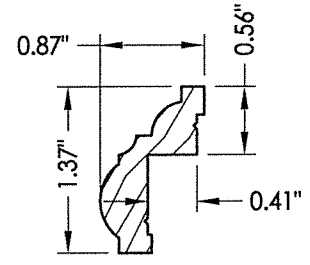
R:\Clients\Southeastern Sash & Door\A - Florida Product Approvals\FL-22347C - Drawings\FL-22347 (2017)\FL-22347.4-5.dwg, 2.4



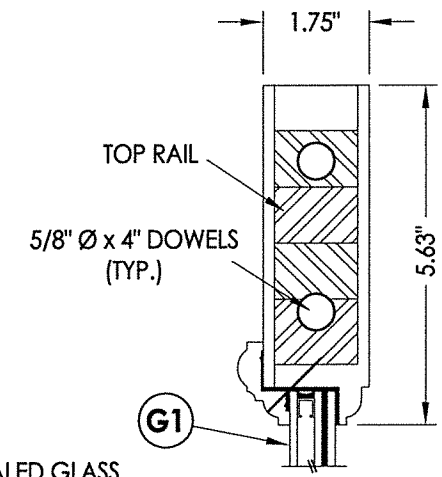
1
2 **HORIZONTAL CROSS SECTION**



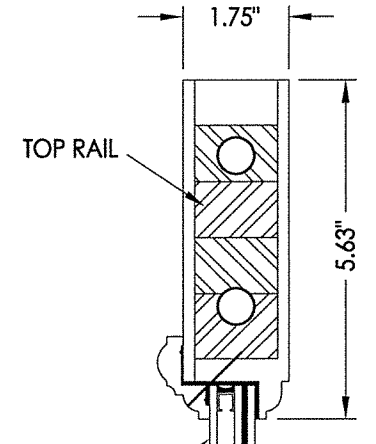
2
2 **HORIZONTAL CROSS SECTION**



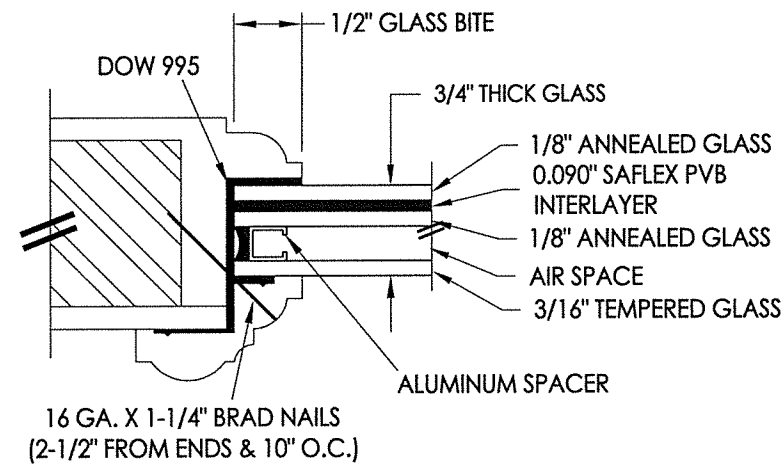
GLAZING BEAD



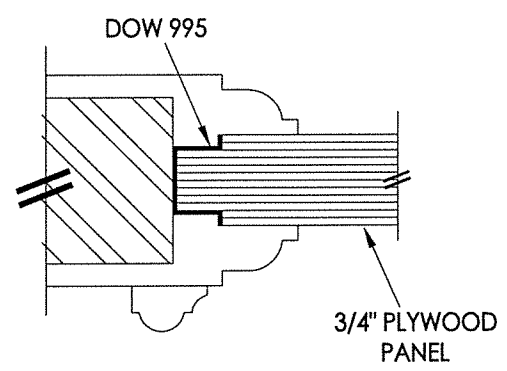
3
2 **VERTICAL CROSS SECTION**



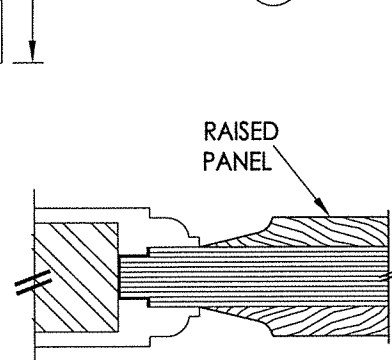
4
2 **VERTICAL CROSS SECTION**



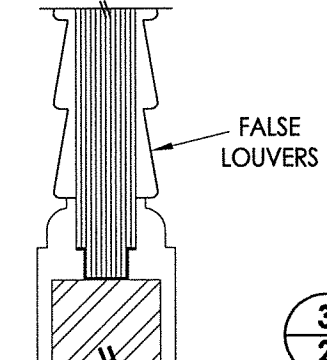
G1 **GLAZING DETAIL**



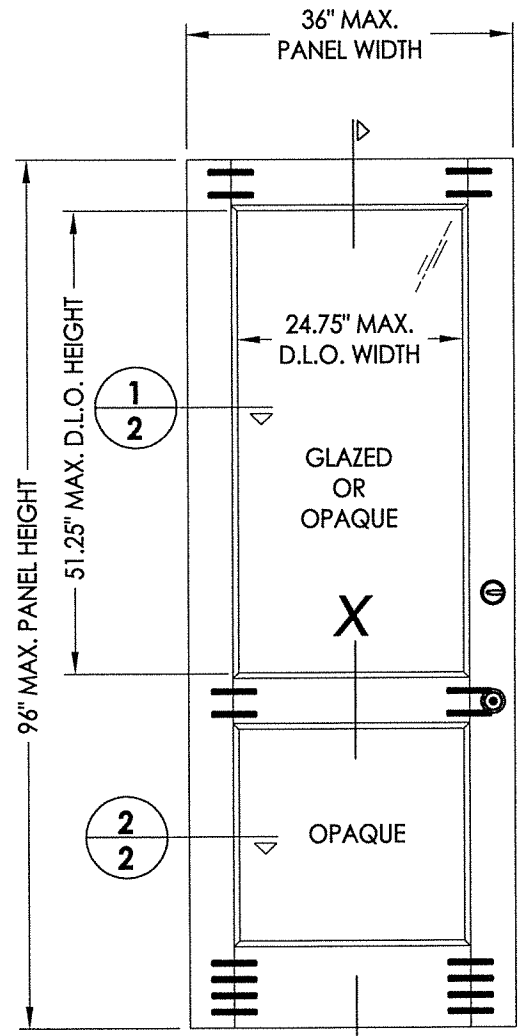
P1 **PANEL INFIL DETAIL**



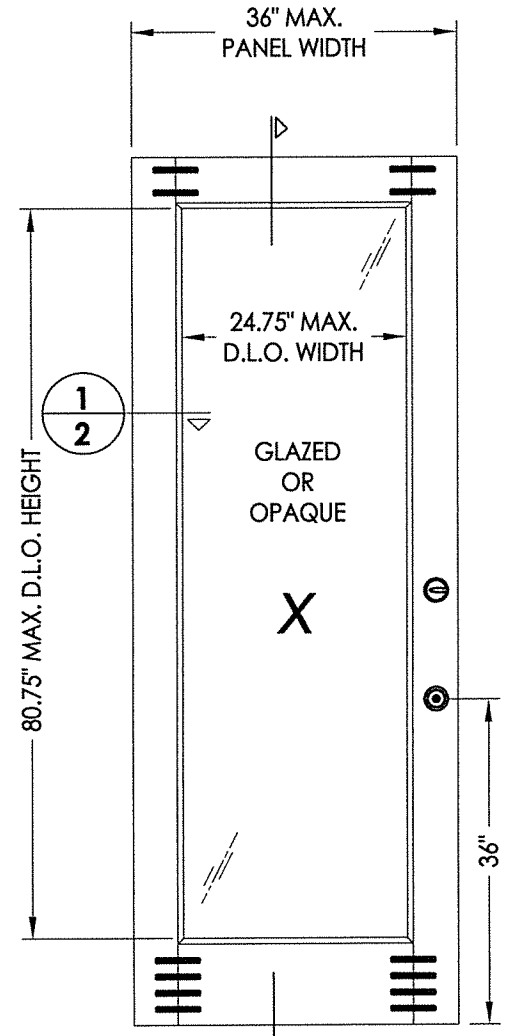
RAISED PANEL OPTION



FALSE LOUVER OPTION



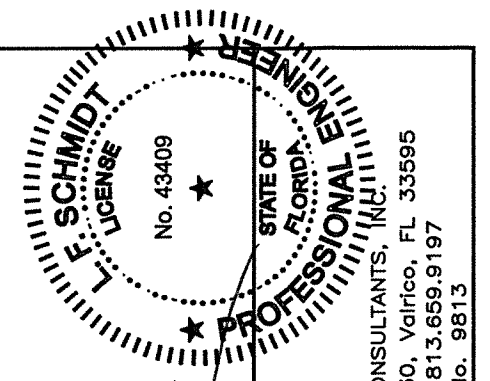
3
2 **3/4 PANEL/LITE**



4
2 **FULL PANEL/LITE**

40 **WOOD DOOR PANEL**
Glazed or Opaque

WOOD DOOR COMPONENTS:
VENEER/EDGES: CYPRESS (G = 0.42)
ENGINEERED STAVE CORE: SIPO (UTILE) (G = 0.53)

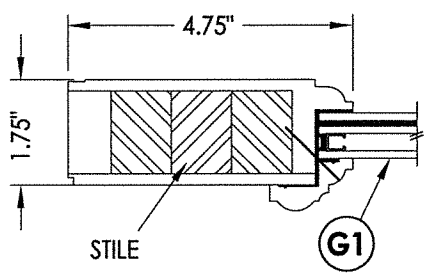


October 12, 2017
Documents Prepared By:
Lyndon F. Schmidt
P.E. No. 43409
R.W. BUILDING CONSULTANTS, INC.
P.O. Box 230, Valrico, FL 33595
Phone No.: 813.659.9197
FBPE C.A. No. 9813

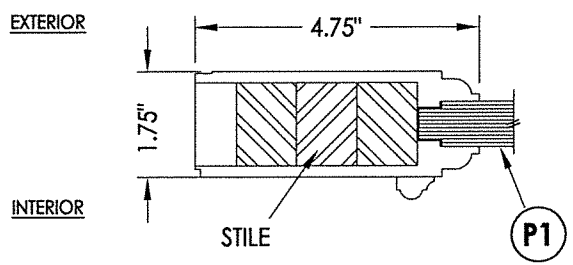
PRODUCT: SOUTHEASTERN SASH & DOOR WOOD DOOR		PART OR ASSEMBLY: DOOR PANEL DETAILS	
DATE: 5/10/17	SCALE: N.T.S.	NO. DATE	REVISIONS
DWG. BY: JK	CHK. BY: LFS	1 10/12/17 UPDATE TO 6TH ED. (2017) FBC	LFS
DRAWING NO.: FL-22347.4	SHEET 2 OF 11		

© 2017 R.W. BUILDING CONSULTANTS INC.

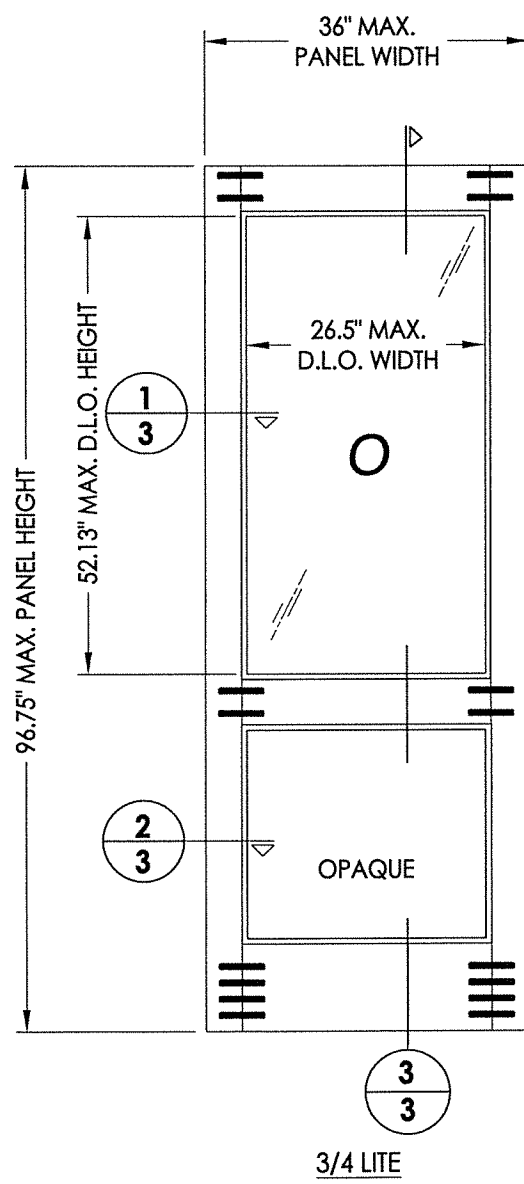
R:\Clients\Southeastern Sash & Door\A - Florida Product Approvals\FL-22347C - Drawings\FL-22347C-4-5.dwg, 3.4



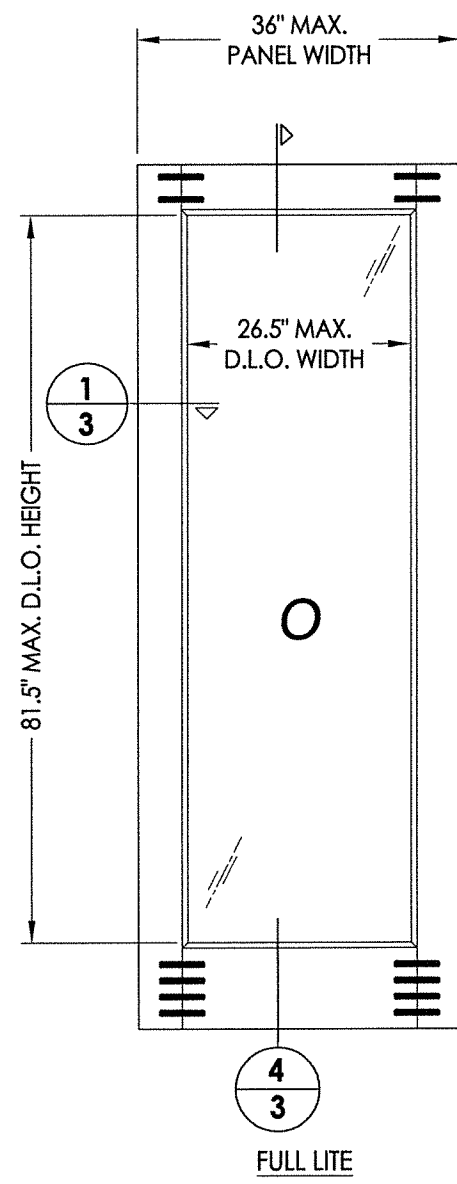
1
3 HORIZONTAL CROSS SECTION



2
3 HORIZONTAL CROSS SECTION

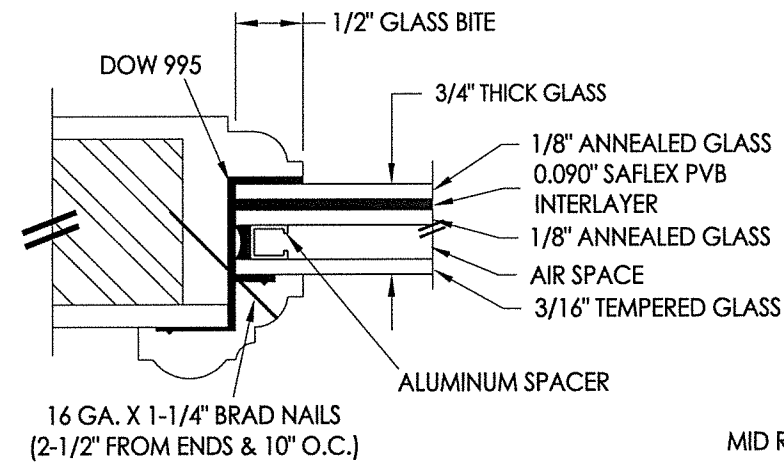


3/4 LITE

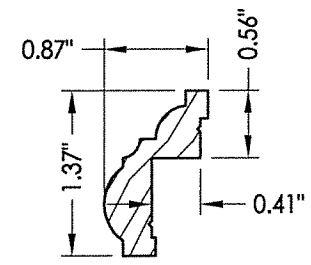


FULL LITE

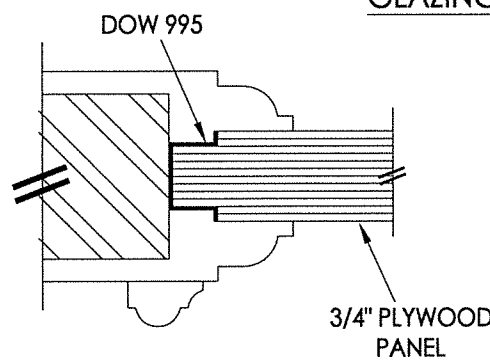
50 WOOD SIDELITE PANEL



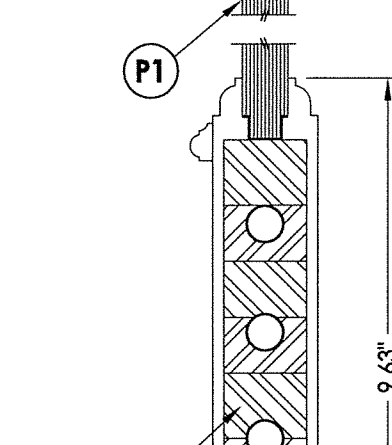
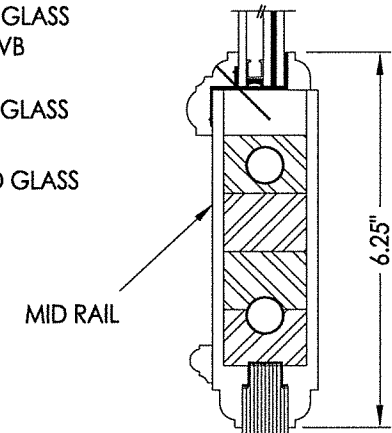
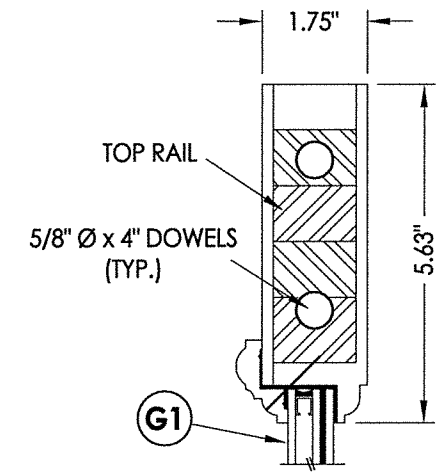
G1 GLAZING DETAIL



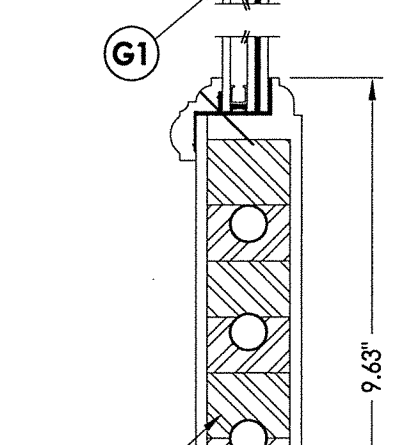
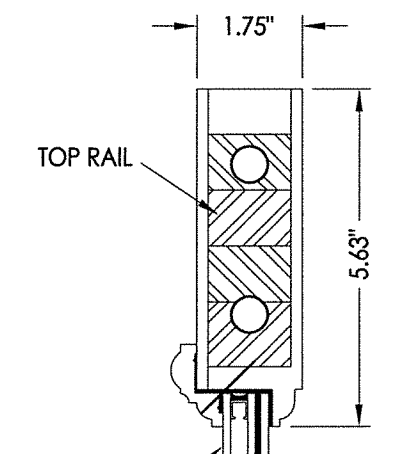
GLAZING BEAD



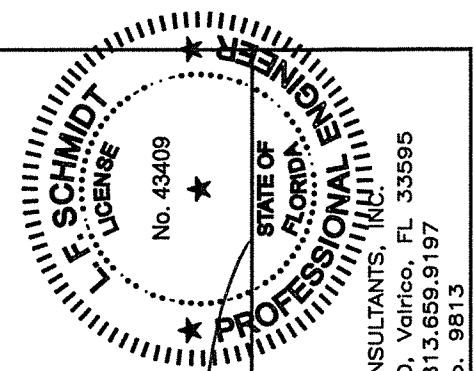
P1 PANEL INFIL DETAIL



3
3 VERTICAL CROSS SECTION



4
3 VERTICAL CROSS SECTION

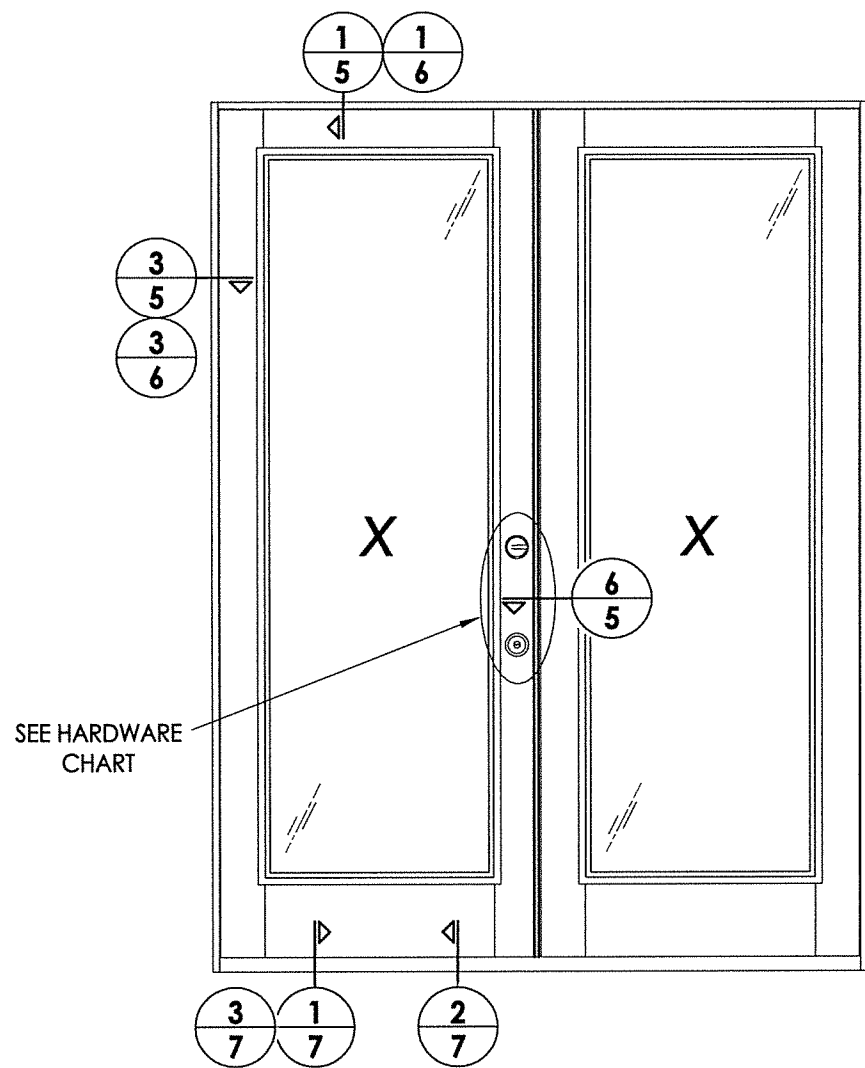


October 12, 2017
Documents Prepared By:
Lyndon F. Schmidt
P.E. No. 43409

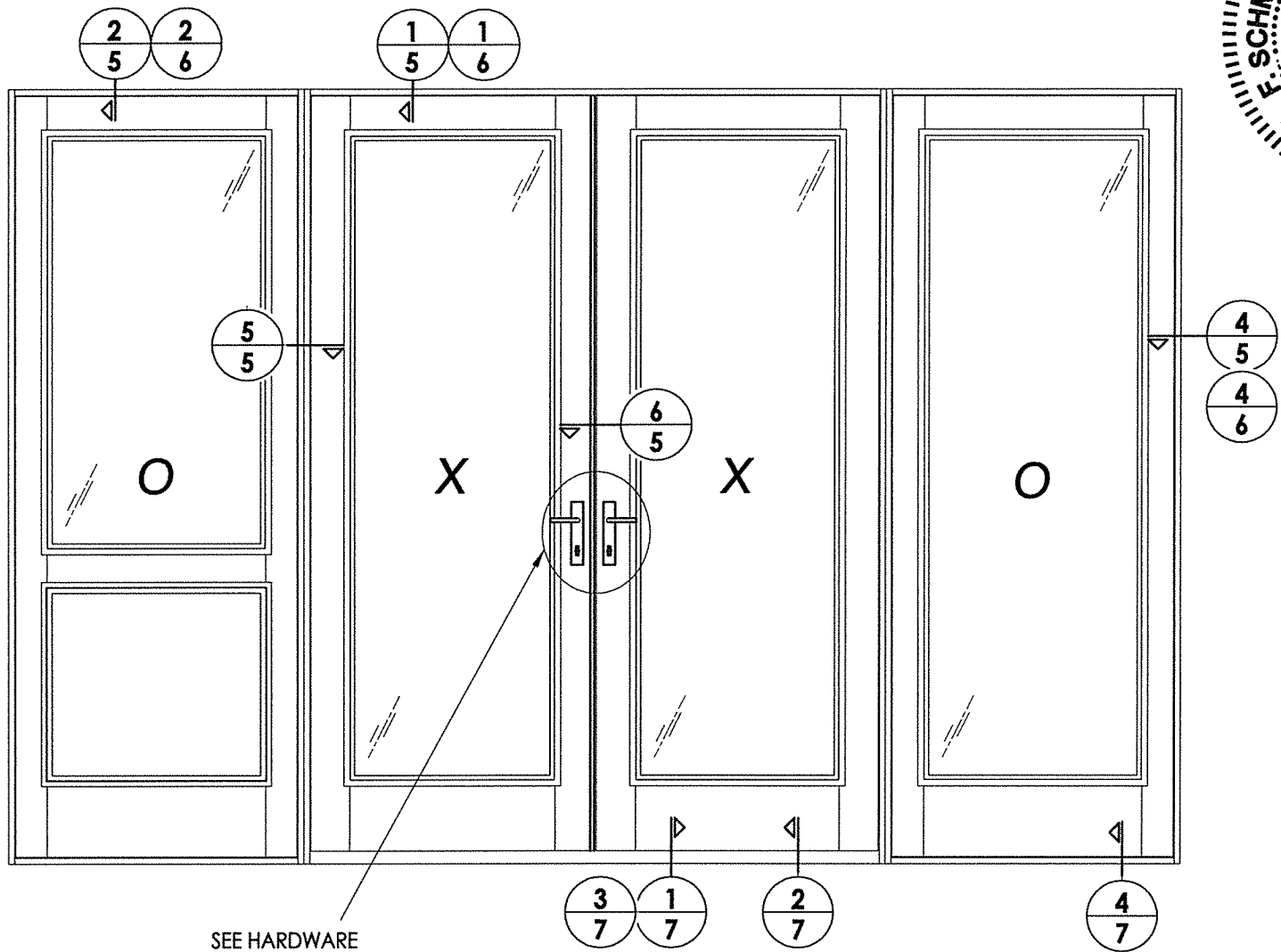
RW BUILDING CONSULTANTS, INC.
P.O. Box 230, Valrico, FL 33595
Phone No.: 813.659.9197
FBPE C.A. No. 9813

PRODUCT: SOUTHEASTERN SASH & DOOR WOOD DOOR		PART OR ASSEMBLY: SIDELITE PANEL DETAILS	
NO.	DATE	BY	REVISIONS
1	10/12/17	LFS	UPDATE TO 6TH ED. (2017)
DATE: 5/10/17		SCALE: N.T.S.	
DWG. BY: JK		CHK. BY: LFS	
DRAWING NO.: FL-22347.4		SHEET 3 OF 11	

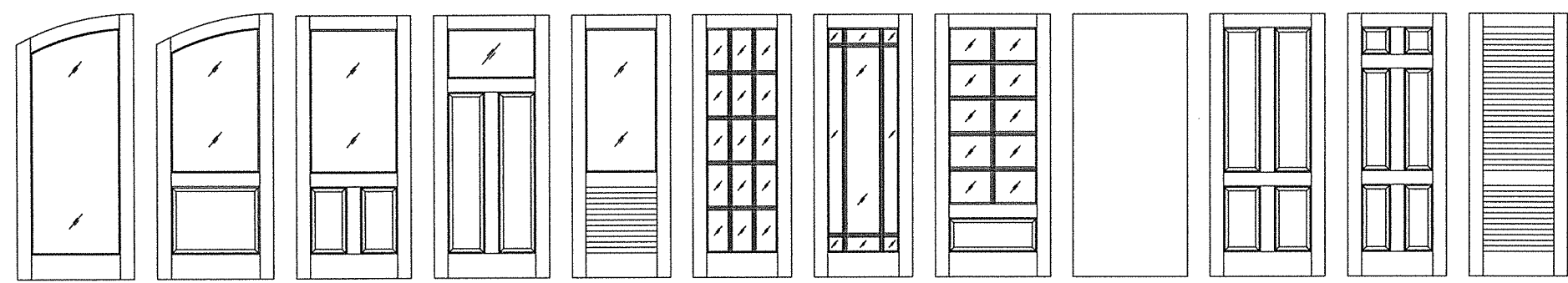
© 2017 R.W. BUILDING CONSULTANTS INC.



SEE HARDWARE CHART

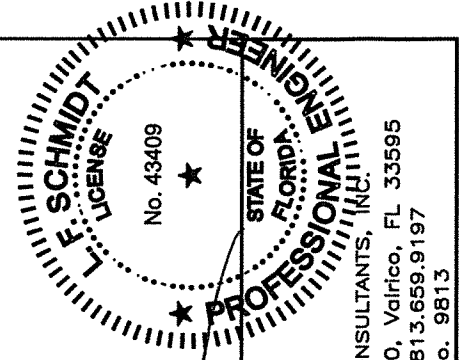


SEE HARDWARE CHART



SOUTHEASTERN SASH & DOOR Door Panel Options
 Panel options shown are for illustration and are representative only.
 Surface applied muntins are used for simulated divided lites shown.

HARDWARE TABLE	
MANUFACTURER	MODEL
KWIKSET	KNOB: SIGNATURE SERIES DEADBOLT: SIGNATURE SERIES (980)
HOPPE	HLS9000 MULTIPOINT HARDWARE ACTIVE: TONGUE/SHOOTBOLT INACTIVE: SHOOTBOLT



October 12, 2017
 Documents Prepared By:
 Lyndon F. Schmidt
 P.E. No. 43409

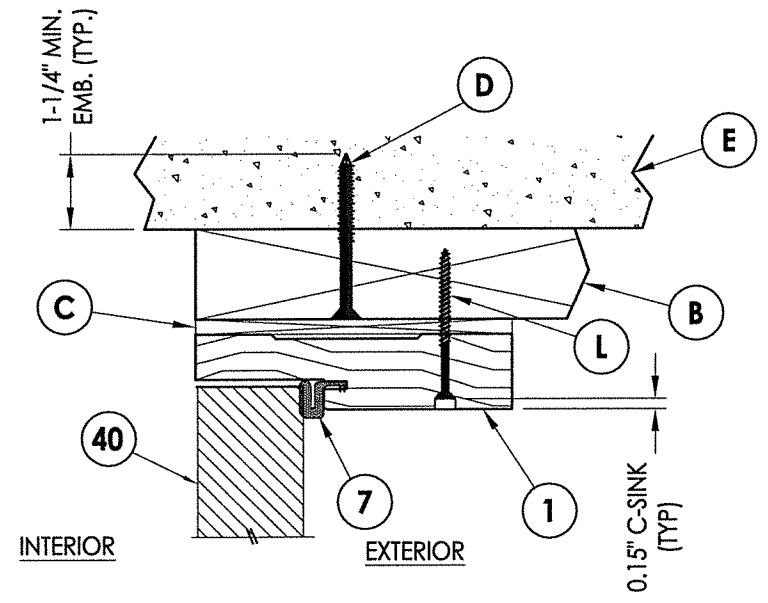
PRODUCT: SOUTHEASTERN SASH & DOOR WOOD DOOR
 PART OR ASSEMBLY: ELEVATIONS

NO.	DATE	BY
1	10/12/17	LFS

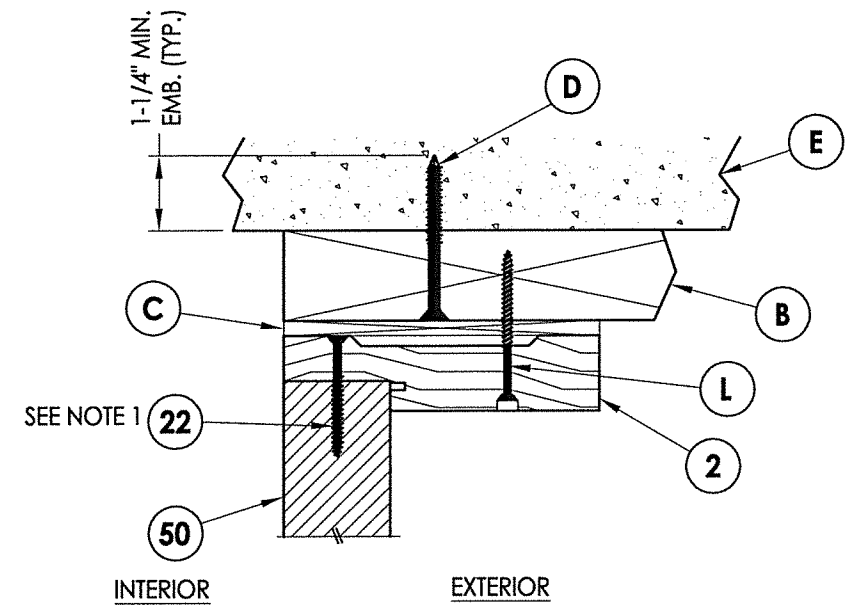
DATE: 5/10/17
 SCALE: N.T.S.
 DWG. BY: JK
 CHK. BY: LFS
 DRAWING NO.: FL-22347.4
 SHEET 4 OF 11

R.W. BUILDING CONSULTANTS, INC.
 P.O. Box 230, Valrico, FL 33595
 Phone No.: 813.659.9197
 FBPE C.A. No. 9813

R:\Clients\Southeastern Sash & Door\VA - Florida Product Approvals\FL-22347\C - Drawings\FL-22347 (2017)\FL-22347.4-5.dwg, 5.4

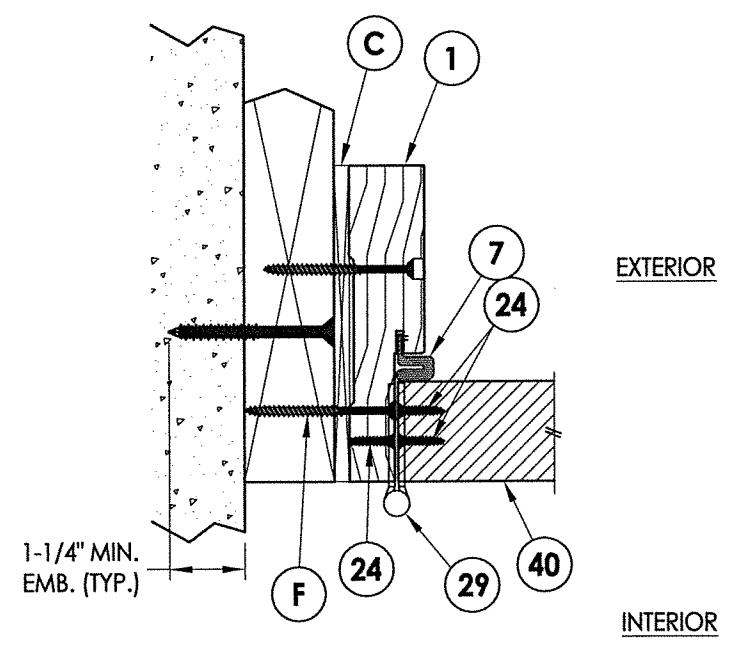


1 **VERTICAL CROSS SECTION**
5 Shown w/ 2X Buck
 Inswing shown (Outswing similar)

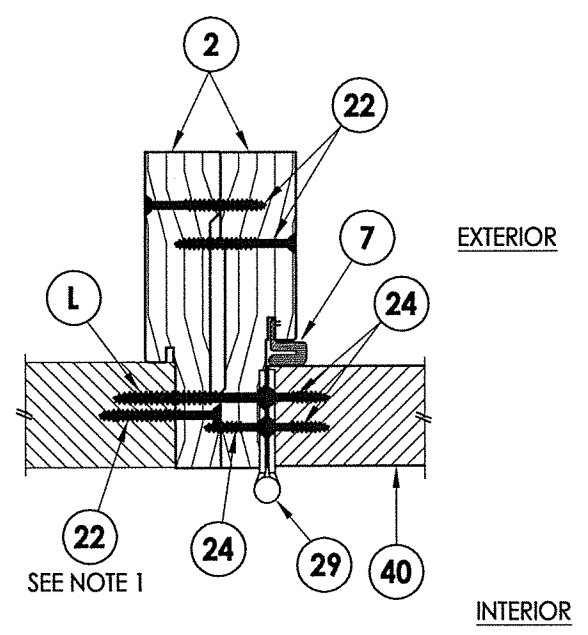


2 **HORIZONTAL CROSS SECTION**
5 Shown w/ 2X Buck
 Inswing shown (Outswing similar)

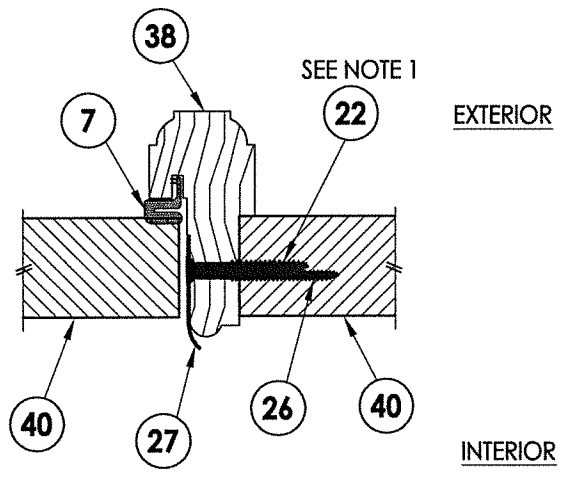
NOTE:
 1. Item #22 located 4" from each end then 7 more (9 total).
 2. Item #22 located 6" from each end (2 total).



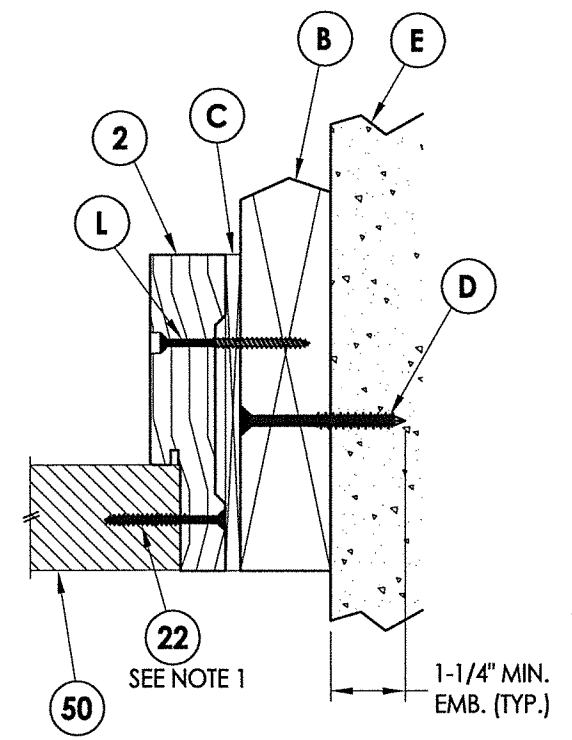
3 **HORIZONTAL CROSS SECTION**
5 Shown w/ 2X Buck
 Inswing shown (Outswing similar)



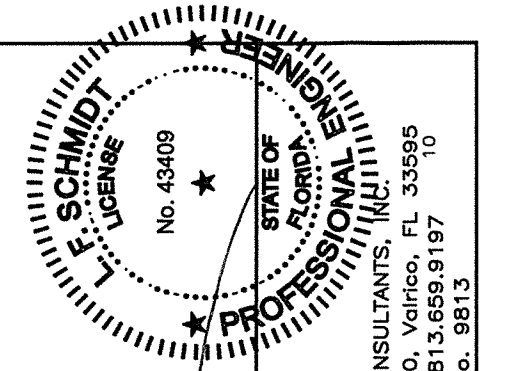
5 **HORIZONTAL CROSS SECTION**
5 Shown w/ 2X Buck
 Inswing shown (Outswing similar)



6 **HORIZONTAL CROSS SECTION**
5 Inswing shown (Outswing similar)



4 **HORIZONTAL CROSS SECTION**
5 Shown w/ 2X Buck
 Inswing shown (Outswing similar)



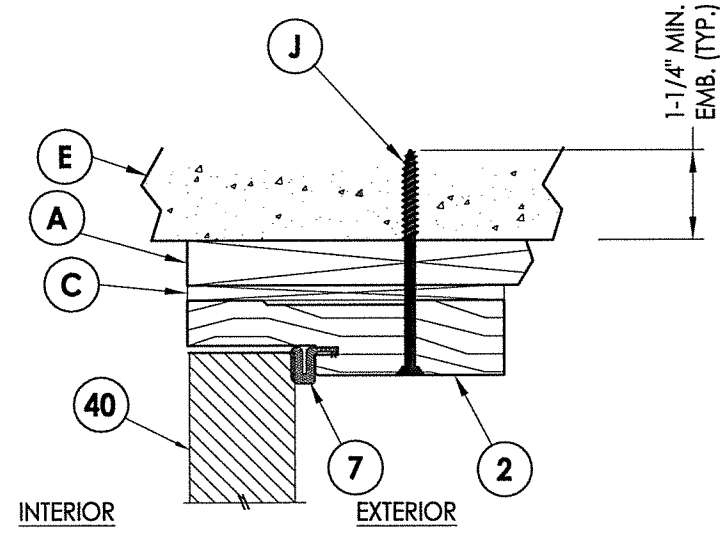
October 12, 2017
 Documents Prepared By:
 Lyndon F. Schmidt
 P.E. No. 43409
 RW BUILDING CONSULTANTS, INC.
 P.O. Box 230, Vairico, FL 33595
 Phone No.: 813.659.9197
 FBPE C.A. No. 9813

PRODUCT:
 SOUTHEASTERN SASH & DOOR
 WOOD DOOR
 PART OR ASSEMBLY:
 HORIZONTAL & VERTICAL
 CROSS SECTIONS (2X BUCK)

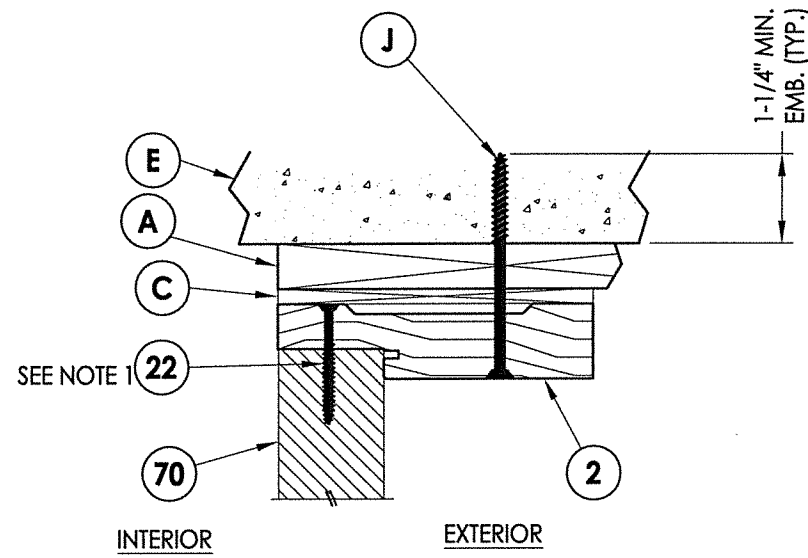
NO.	DATE	BY	REVISIONS
1	10/12/17	FBC	UPDATE TO 6TH ED. (2017)
		LFS	

DATE: 5/10/17
 SCALE: N.T.S.
 DWG. BY: JK
 CHK. BY: LFS
 DRAWING NO.: FL-22347.4
 SHEET 5 OF 11

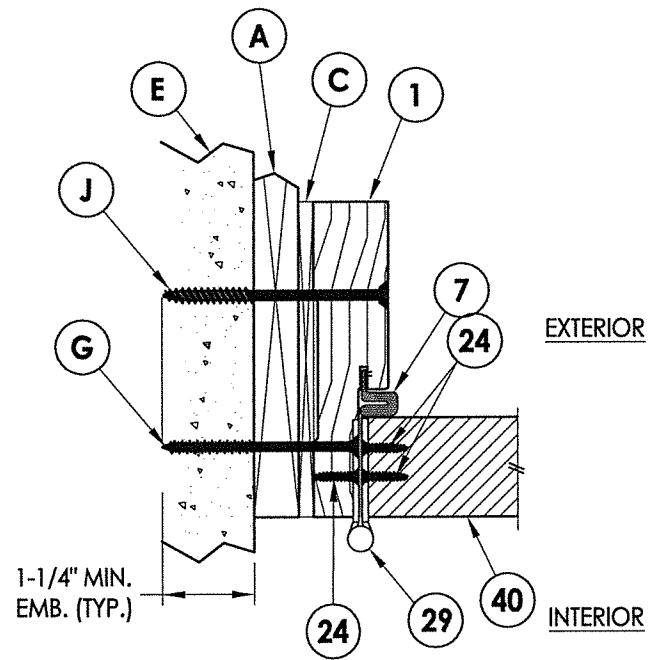
NOTE:
 1. Item #22 located 4" from each end then 7 more (9 total).
 2. Item #22 located 6" from each end (2 total).



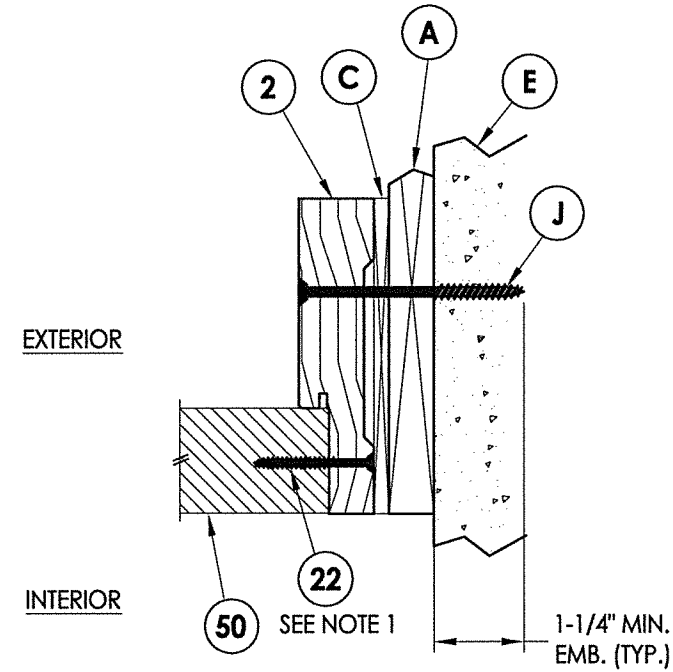
1 **VERTICAL CROSS SECTION**
6 Shown w/ 1X Buck
 Inswing shown (Outswing similar)



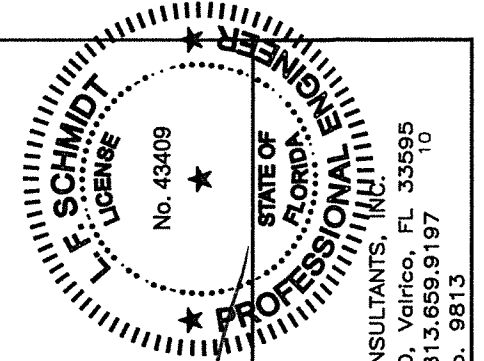
2 **HORIZONTAL CROSS SECTION**
6 Shown w/ 1X Buck
 Inswing shown (Outswing similar)



3 **HORIZONTAL CROSS SECTION**
6 Shown w/ 1X Buck
 Inswing shown (Outswing similar)



4 **HORIZONTAL CROSS SECTION**
6 Shown w/ 1X Buck
 Inswing shown (Outswing similar)



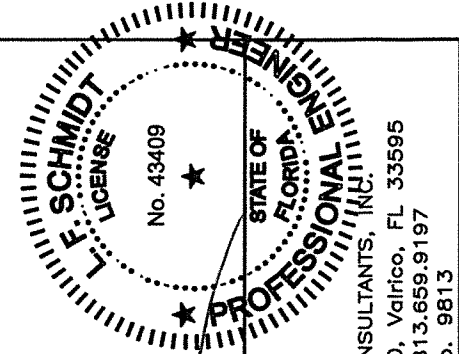
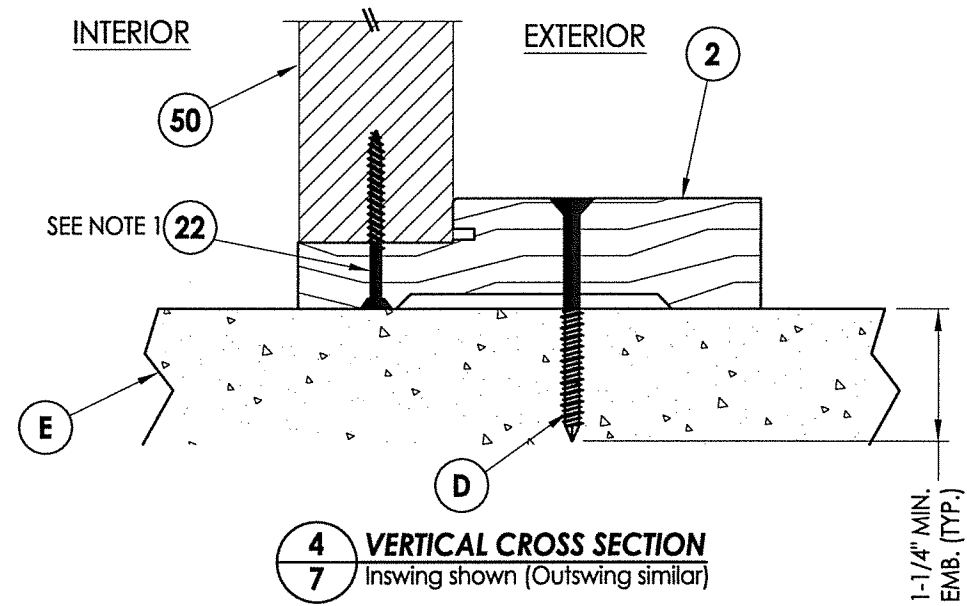
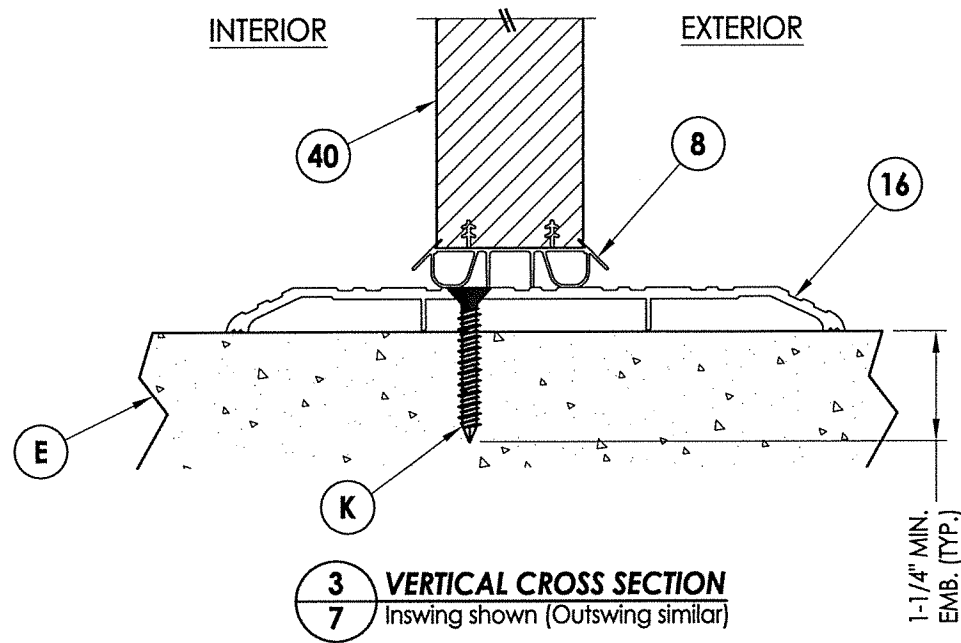
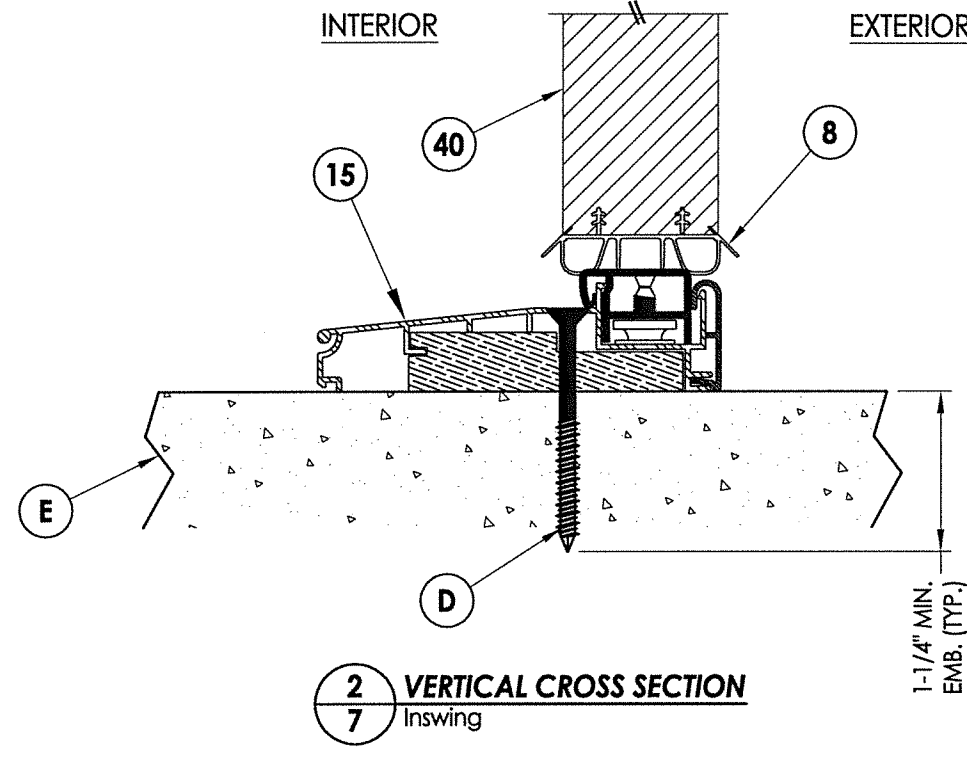
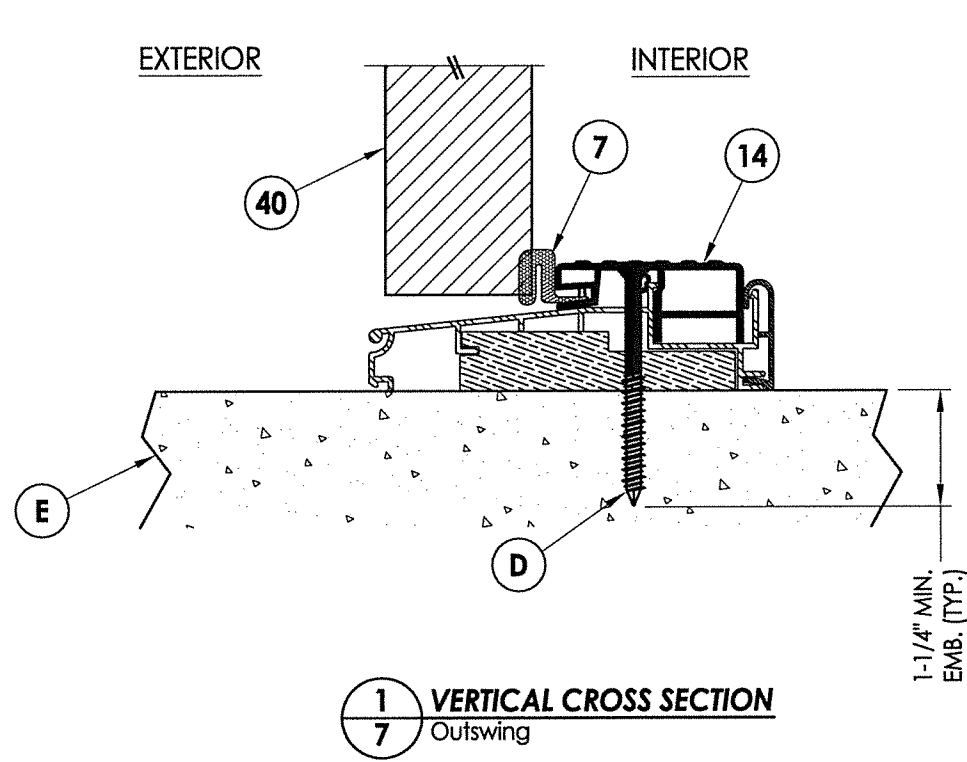
October 12, 2017
 Documents Prepared By:
 Lyndon F. Schmidt
 P.E. No. 43409
 RW BUILDING CONSULTANTS, INC.
 P.O. Box 230, Vairico, FL 33595
 Phone No.: 813.659.9197
 FBPE C.A. No. 9813

PRODUCT:
 SOUTHEASTERN SASH & DOOR
 WOOD DOOR
 PART OR ASSEMBLY:
 HORIZONTAL & VERTICAL
 CROSS SECTIONS (1X BUCK)

NO.	DATE	BY	REVISIONS
1	10/12/17	LFS	UPDATE TO 6TH ED. (2017) FBC

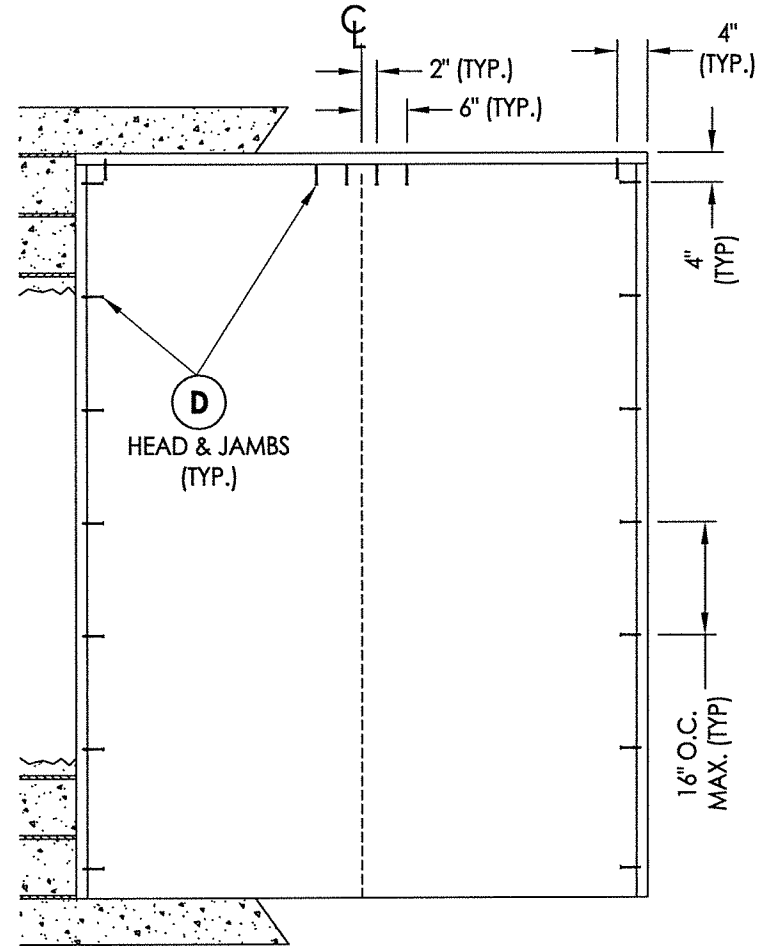
DATE: 5/10/17
 SCALE: N.T.S.
 DWG. BY: JK
 CHK. BY: LFS
 DRAWING NO.:
 FL-22347.4
 SHEET 6 OF 11

NOTE:
1. Item #22 located 6" from each end (2 total).

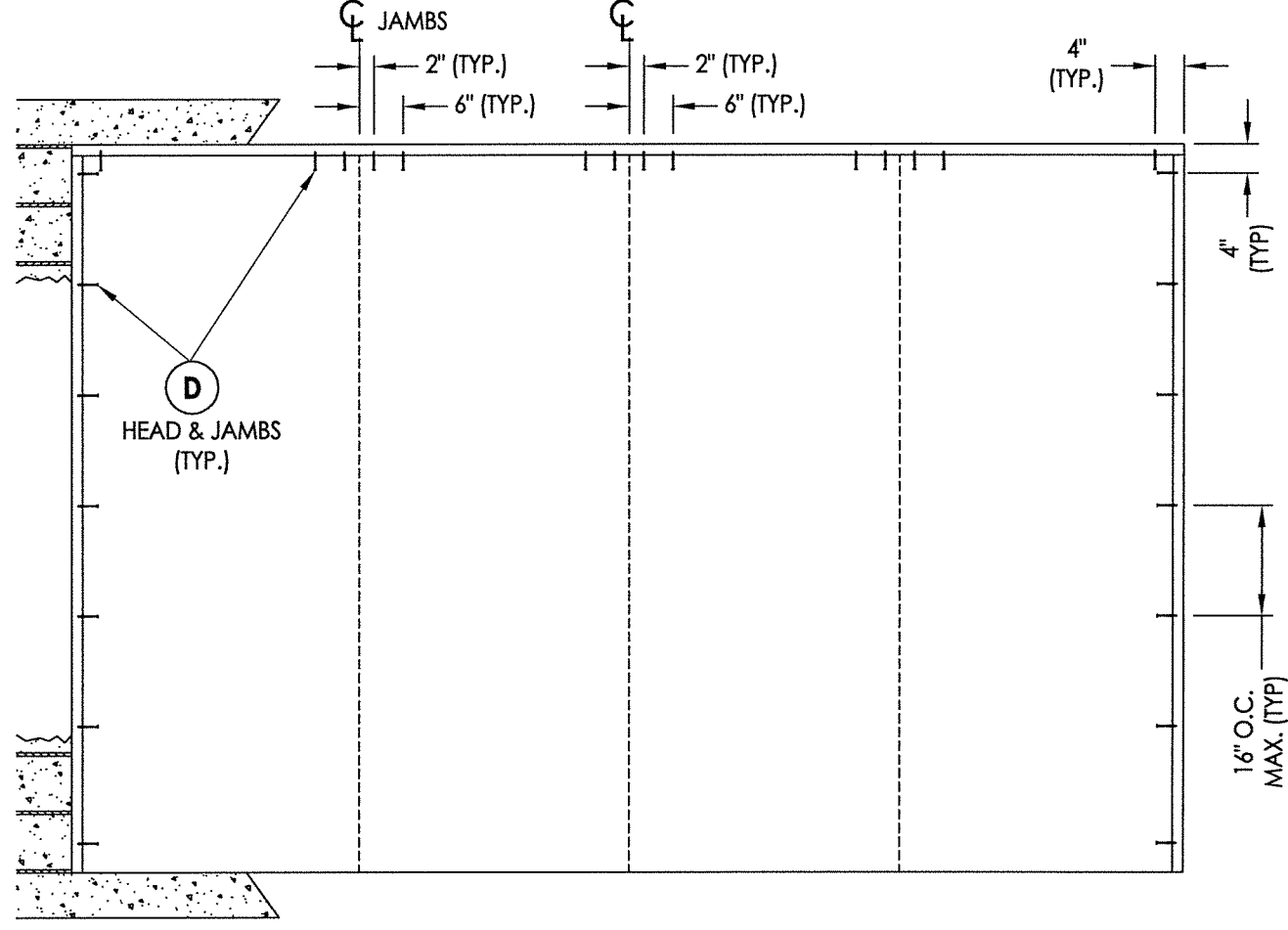


October 12, 2017
Documents Prepared By:
Lyndon F. Schmidt
P.E. No. 43409
LFS
RW BUILDING CONSULTANTS, INC.
P.O. Box 230, Valrico, FL 33595
Phone No.: 813.659.9197
FBPE C.A. No. 9813

PRODUCT:		SOUTHEASTERN SASH & DOOR	
		WOOD DOOR	
PART OR ASSEMBLY:		VERTICAL CROSS SECTIONS (THRESHOLD)	
NO.	DATE	BY	REVISIONS
1	10/12/17	FBC	UPDATE TO 6TH ED. (2017)
		LFS	
DATE: 5/10/17			
SCALE: N.T.S.			
DWG. BY: JK			
CHK. BY: LFS			
DRAWING NO.: FL-21894.4			
SHEET 7 OF 11			

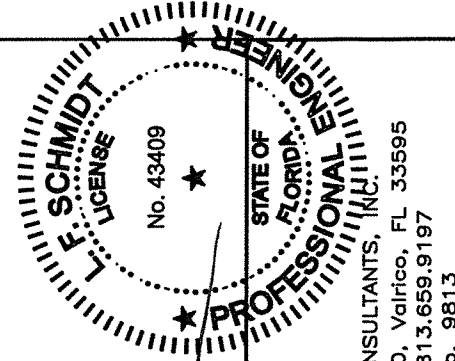


XX



OXXO

2X BUCK ANCHORING

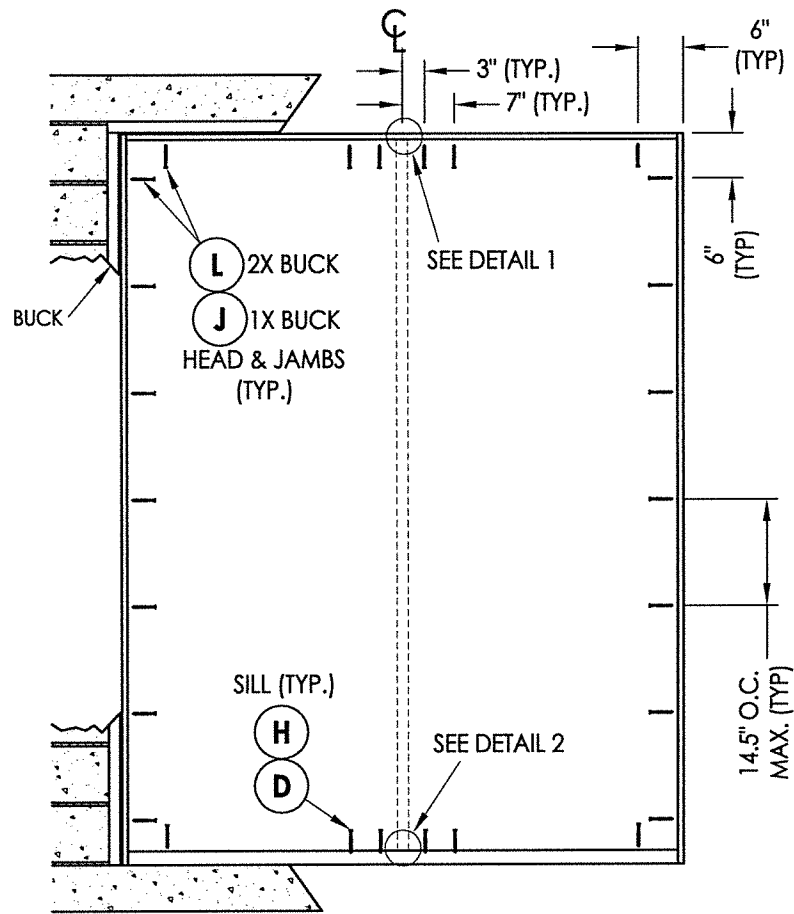


October 12, 2017
 Documents Prepared By:
 Lyndon F. Schmidt
 P.E. No. 43409
LFS
R.W. BUILDING CONSULTANTS, INC.
 P.O. Box 230, Valrico, FL 33595
 Phone No.: 813.659.9197
 FBPE C.A. No. 9813

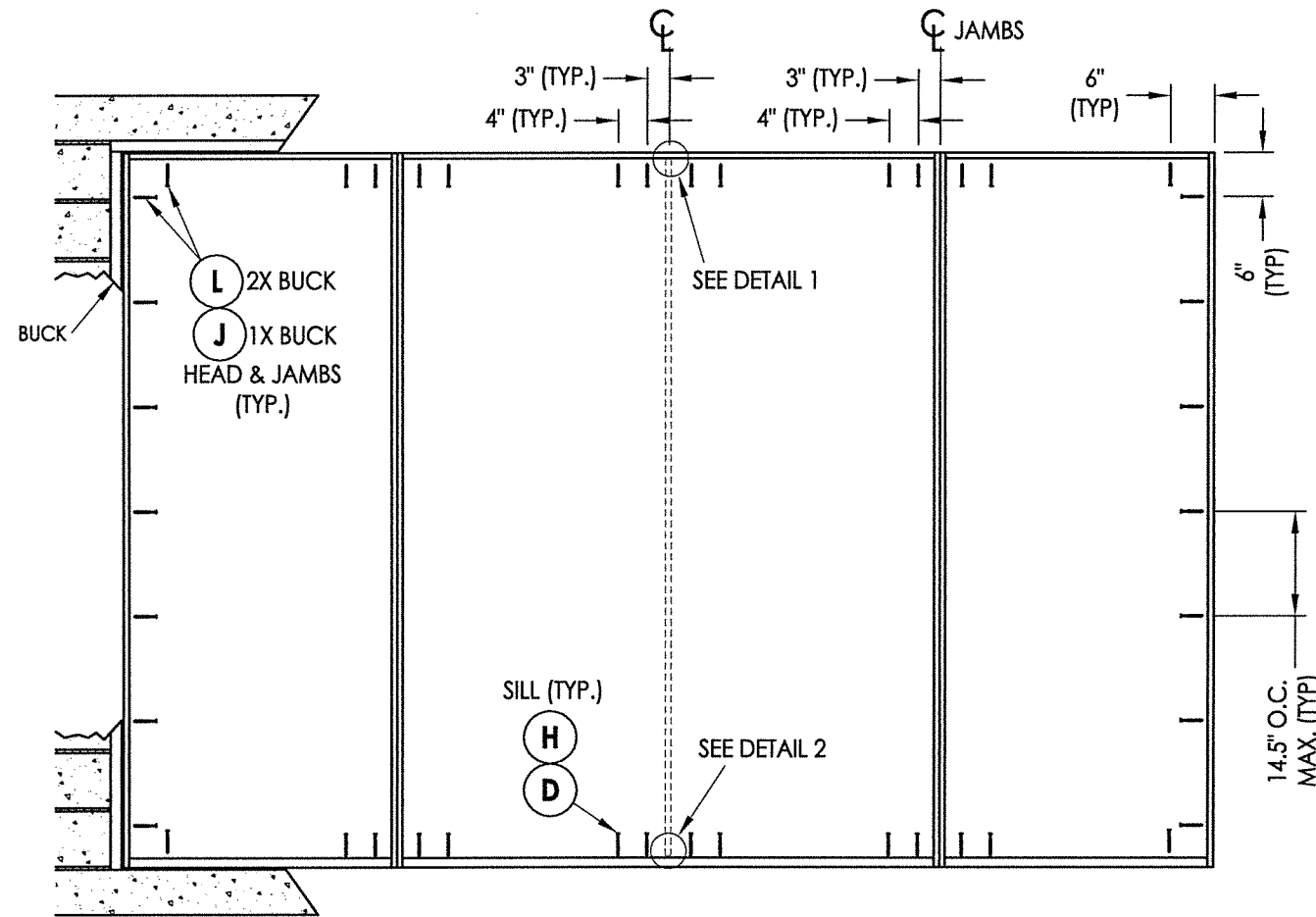
PRODUCT:
 SOUTHEASTERN SASH & DOOR
 WOOD DOOR
 PART OR ASSEMBLY:
 BUCK ANCHORING

REVISIONS	
NO.	DATE
1	10/12/17
	UPDATE TO 6TH ED. (2017) FBC
	LFS
	BY

DATE: 5/10/17
 SCALE: N.T.S.
 DWG. BY: JK
 CHK. BY: LFS
 DRAWING NO.:
 FL-22347.4
 SHEET 8 OF 11

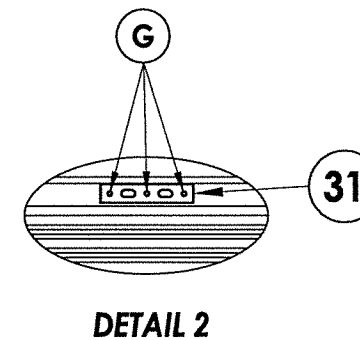
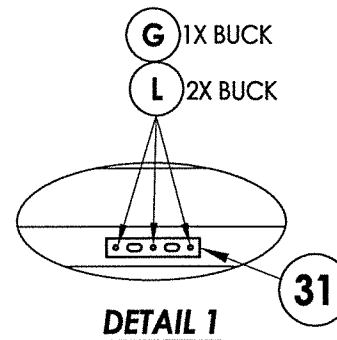


XX

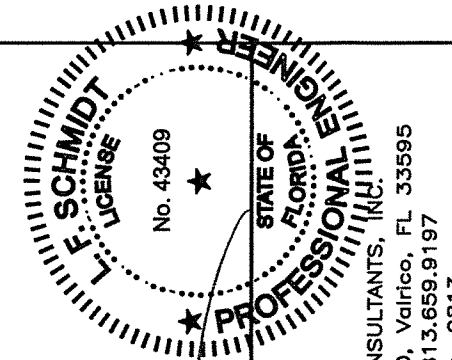


OXXO

FRAME ANCHORING



NOTE:
1. ALL FRAME CORNERS SECURED WITH (3) #8 X 2-1/2" FH DEEP THREAD WOOD SCREWS @ HEAD & SILL.



October 12, 2017
Documents Prepared By:
Lyndon F. Schmidt
P.E. No. 43409

RW BUILDING CONSULTANTS, INC.
P.O. Box 230, Valrico, FL 33595
Phone No.: 813.659.9197
FBPE C.A. No. 9813

PRODUCT:
SOUTHEASTERN SASH & DOOR
WOOD DOOR

PART OR ASSEMBLY:
FRAME ANCHORING
& HARDWARE DETAILS

NO.	DATE	DESCRIPTION	BY
1	10/12/17	UPDATE TO 6TH ED. (2017) FBC	LFS

DATE: 5/10/17

SCALE: N.T.S.

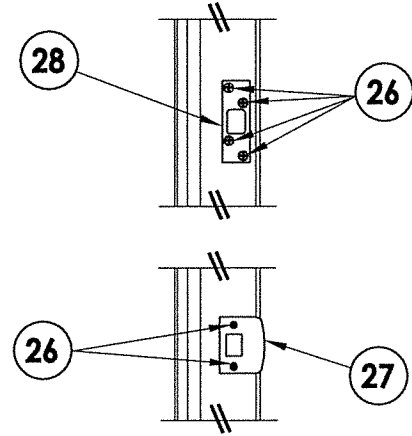
DWG. BY: JK

CHK. BY: LFS

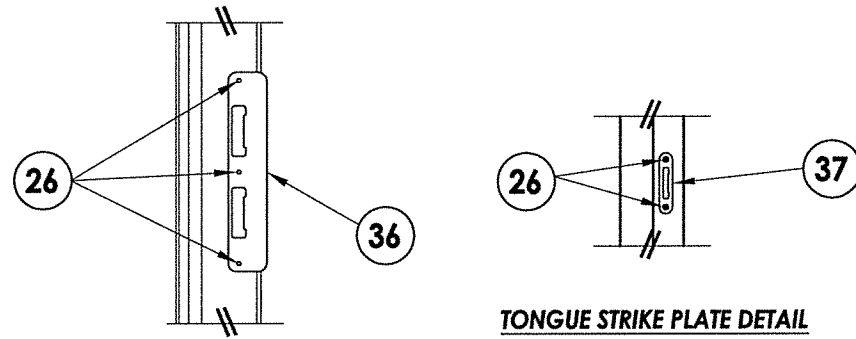
DRAWING NO.:

FL-22347.4

SHEET 9 OF 11

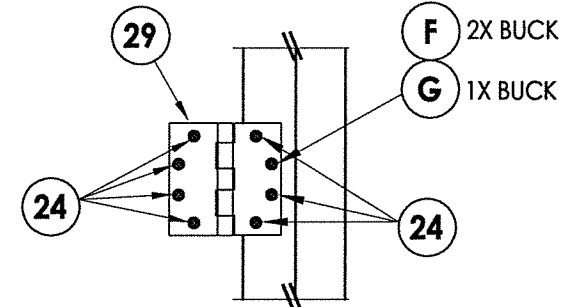


LATCH & DEADBOLT STRIKE PLATE DETAIL

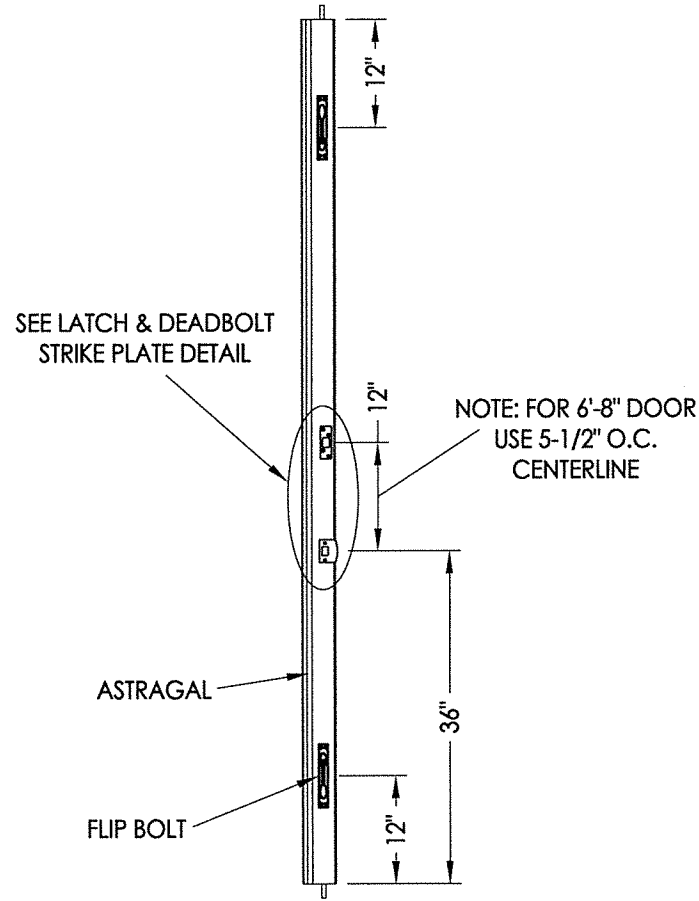


MULTIPOINT STRIKE PLATE DETAIL

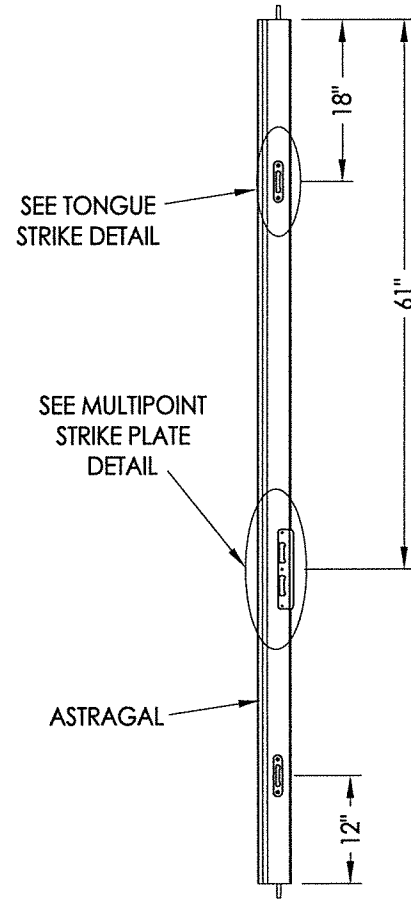
TONGUE STRIKE PLATE DETAIL



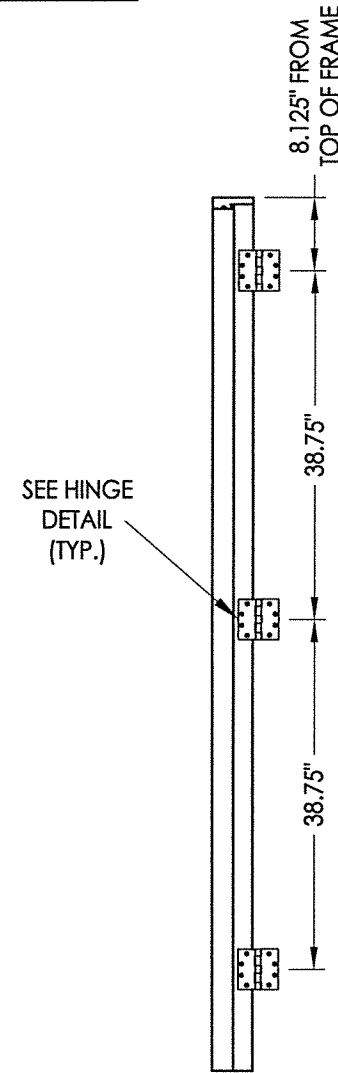
HINGE DETAIL



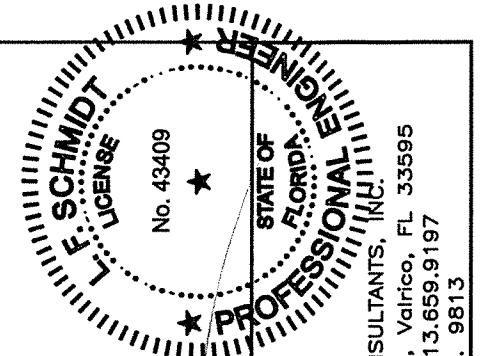
LATCH & DEADBOLT DETAILS



MULTIPOINT LOCK DETAILS



HINGE JAMB



October 12, 2017
 Documents Prepared By:
 Lyndon F. Schmidt
 P.E. No. 43409

R.W. BUILDING CONSULTANTS, INC.
 P.O. Box 230, Vairico, FL 33595
 Phone No.: 813.659.9197
 FBPE C.A. No. 9813

PRODUCT: SOUTHEASTERN SASH & DOOR WOOD DOOR
 PART OR ASSEMBLY: HARDWARE DETAILS

NO.	DATE	DESCRIPTION	BY
1	10/12/17	UPDATE TO 6TH ED. (2017)	LFS

DATE: 05/10/17
 SCALE: N.T.S.
 DWG. BY: JK
 CHK. BY: LFS
 DRAWING NO.: FL-22347.4
 SHEET 10 OF 11

R:\Clients\Southeastern Sash & Door\A - Florida Product Approvals\FL-22347\C - Drawings\FL-22347-5.dwg, 11.4

BILL OF MATERIALS		
ITEM #	DESCRIPTION	MATERIAL
A	1X BUCK (SG >= 0.42)	WOOD
B	2X BUCK (SG >= 0.42)	WOOD
C	1/4" MAX. SHIM SPACE	-
D	1/4" X 2-3/4" PFH ELCO OR ITW CONCRETE SCREW	STEEL
E	MASONRY - 3,000 PSI MIN. CONCRETE CONFORMING TO ACI 301 OR HOLLOW BLOCK CONFORMING TO ASTM C90	CONCRETE
F	#12 X 2-1/2" PFH WOOD SCREW	STEEL
G	3/16" X 3-1/4" PFH ITW CONCRETE SCREW	STEEL
J	1/4" X 3-3/4" PFH ELCO OR ITW CONCRETE SCREW	STEEL
L	#10 X 2-1/2" PFH WOOD SCREW (1.15" MIN. EMBEDMENT)	STEEL
K	1/4" X 1-3/4" PFH ELCO OR ITW CONCRETE SCREW	STEEL
1	JAMB (Door)	WOOD
2	JAMB (Sidelite)	WOOD
7	WEATHERSTRIP	FOAM
8	SWEEP	VINYL
14	OUTSWING THRESHOLD	ALUM/COMP
15	INSWING THRESHOLD	ALUM/COMP
16	ADA THRESHOLD	ALUM
22	#10 X 2" PFH WOOD SCREW	STEEL
24	#12 x 1" PFH WOOD SCREW	STEEL
26	#8 x 2-1/2" PFH WOOD SCREW	STEEL
27	LATCH STRIKE PLATE	STEEL
28	DEADBOLT SECURITY STRIKE PLATE	STEEL
29	4.5" X 4.5" HINGE	STEEL
31	MULTIPOINT LOCK SHOOTBOLT STRIKE PLATE	STEEL
36	MULTIPOINT LOCK STRIKE PLATE	STEEL
37	MULTIPOINT LOCK TONGUE STRIKE PLATE	STEEL
38	ASTRAGAL	WOOD
40	DOOR PANEL	-
50	SIDELITE PANEL	-

WOOD FRAME COMPONENTS: SIPO (UTILE) (G = 0.53)

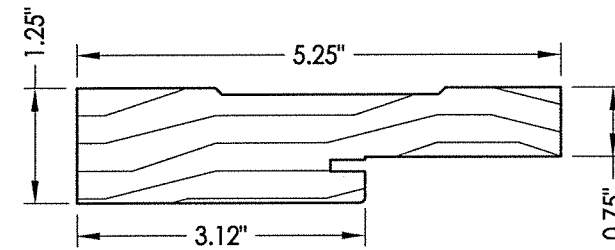
CONCRETE ANCHOR NOTES:

- Concrete anchor locations at the corners may be adjusted to maintain the min. edge distance to mortar joints.
- Concrete anchor locations noted as "MAX. ON CENTER" must be adjusted to mortar joints, additional concrete anchors may be required to ensure the "MAX. ON CENTER" dimension are not exceeded.
- Concrete anchor table:

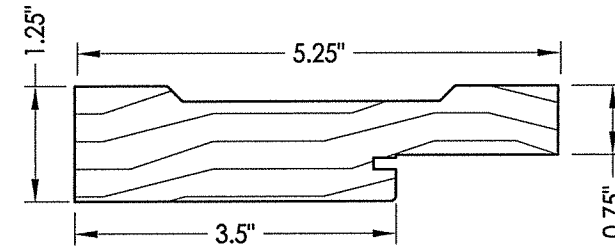
ANCHOR TYPE	ANCHOR SIZE	MIN. EMBEDMENT	MIN. CLEARANCE TO MASONRY EDGE	MIN. CLEARANCE TO ADJACENT ANCHOR
ITW TAPCON®	1/4"	1-1/4"	2"	4"
ELCO ULTRACON®	1/4"	1-1/4"	1"	4"
ITW TAPCON®	3/16"	1-1/4"	3"	1-1/2"

WOOD SCREW INSTALLATION NOTES:

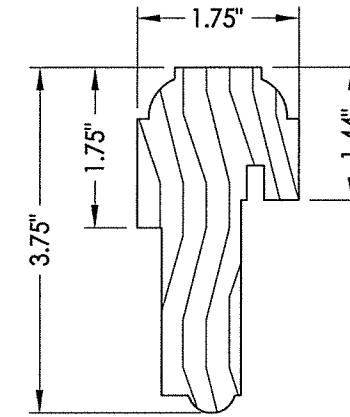
- Maintain a minimum 5/8" edge distance, 1" end distance, & 1" o.c. spacing of wood screws to prevent the splitting of wood.



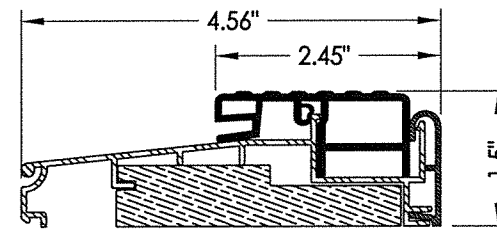
1 WOOD JAMB (Door)



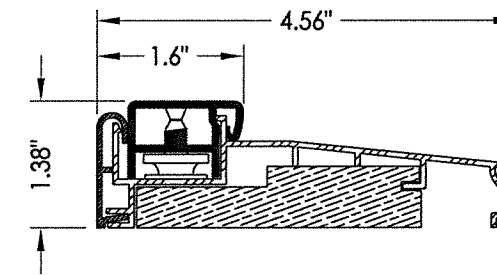
2 WOOD JAMB (Sidelite)



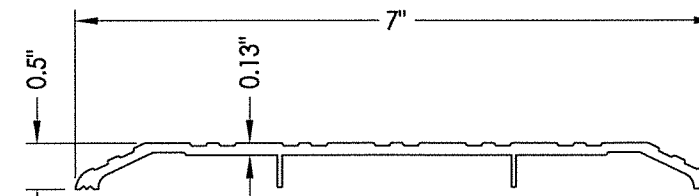
38 ASTRAGAL



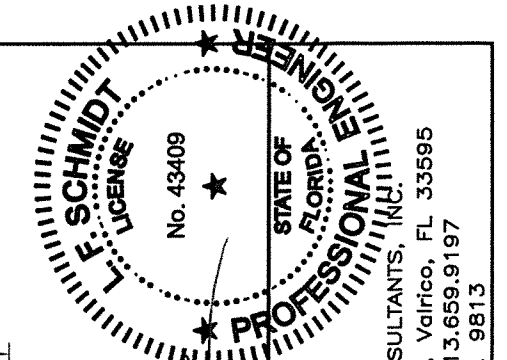
14 OUTSWING THRESHOLD WORLDWIDE



15 INSWING THRESHOLD WORLDWIDE



16 ADA THRESHOLD



October 12, 2017
 Documents Prepared By:
 Lyndon F. Schmidt
 P.E. No. 43409
 R.W. BUILDING CONSULTANTS, INC.
 P.O. Box 230, Valrico, FL 33595
 Phone No.: 813.659.9197
 FBPE C.A. No. 9813

PRODUCT:
 SOUTHEASTERN SASH & DOOR
 WOOD DOOR
 PART OR ASSEMBLY:
 BILL OF MATERIALS
 & COMPONENTS

NO.	DATE	BY	REVISIONS
1	10/12/17	LFS	UPDATE TO 6TH ED. (2017)

DATE: 5/10/17
 SCALE: N.T.S.
 DWG. BY: JK
 CHK. BY: LFS
 DRAWING NO.: FL-22347.4
 SHEET 11 OF 11